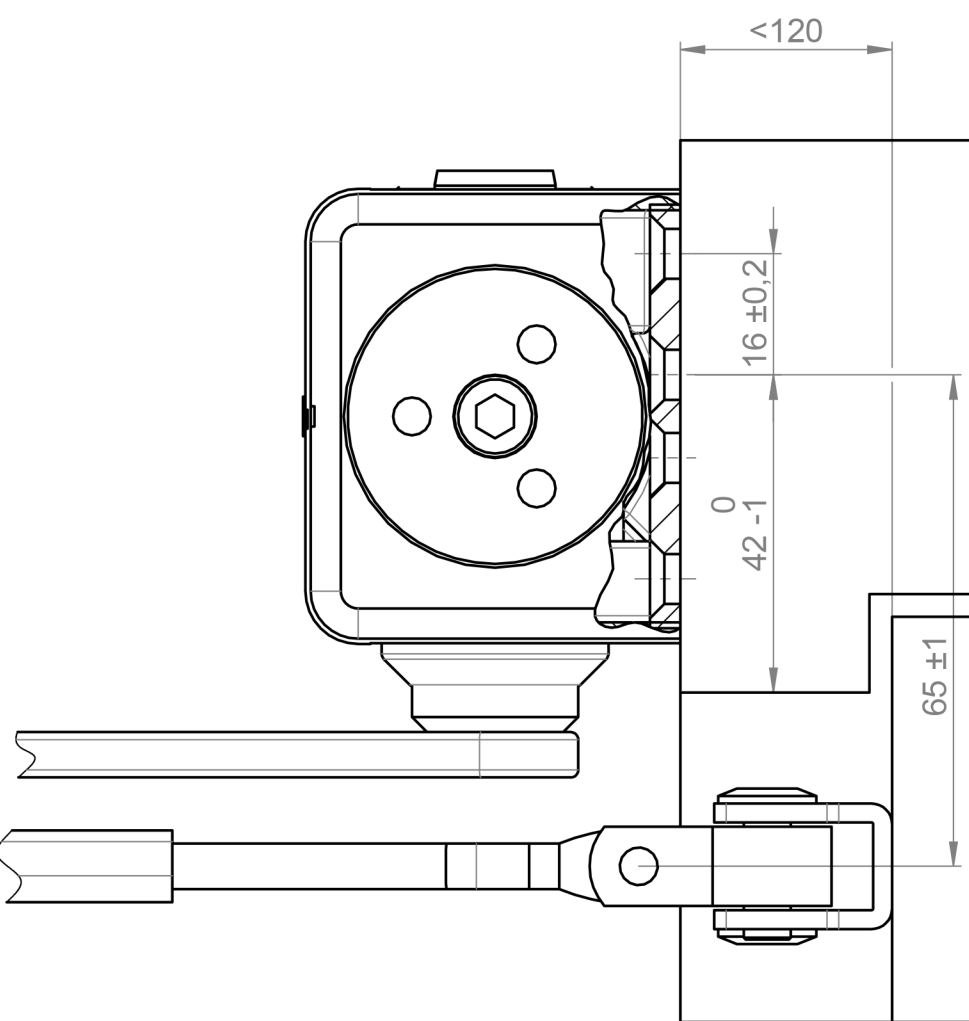
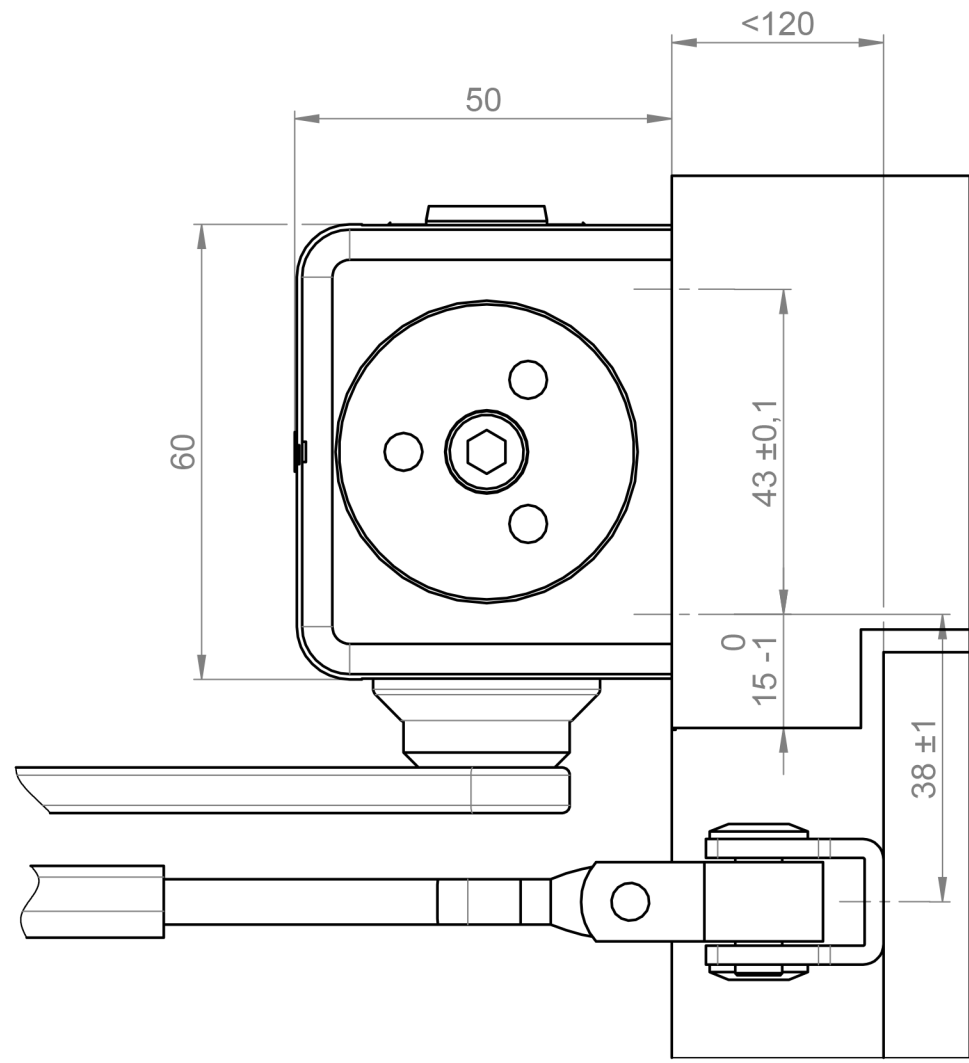
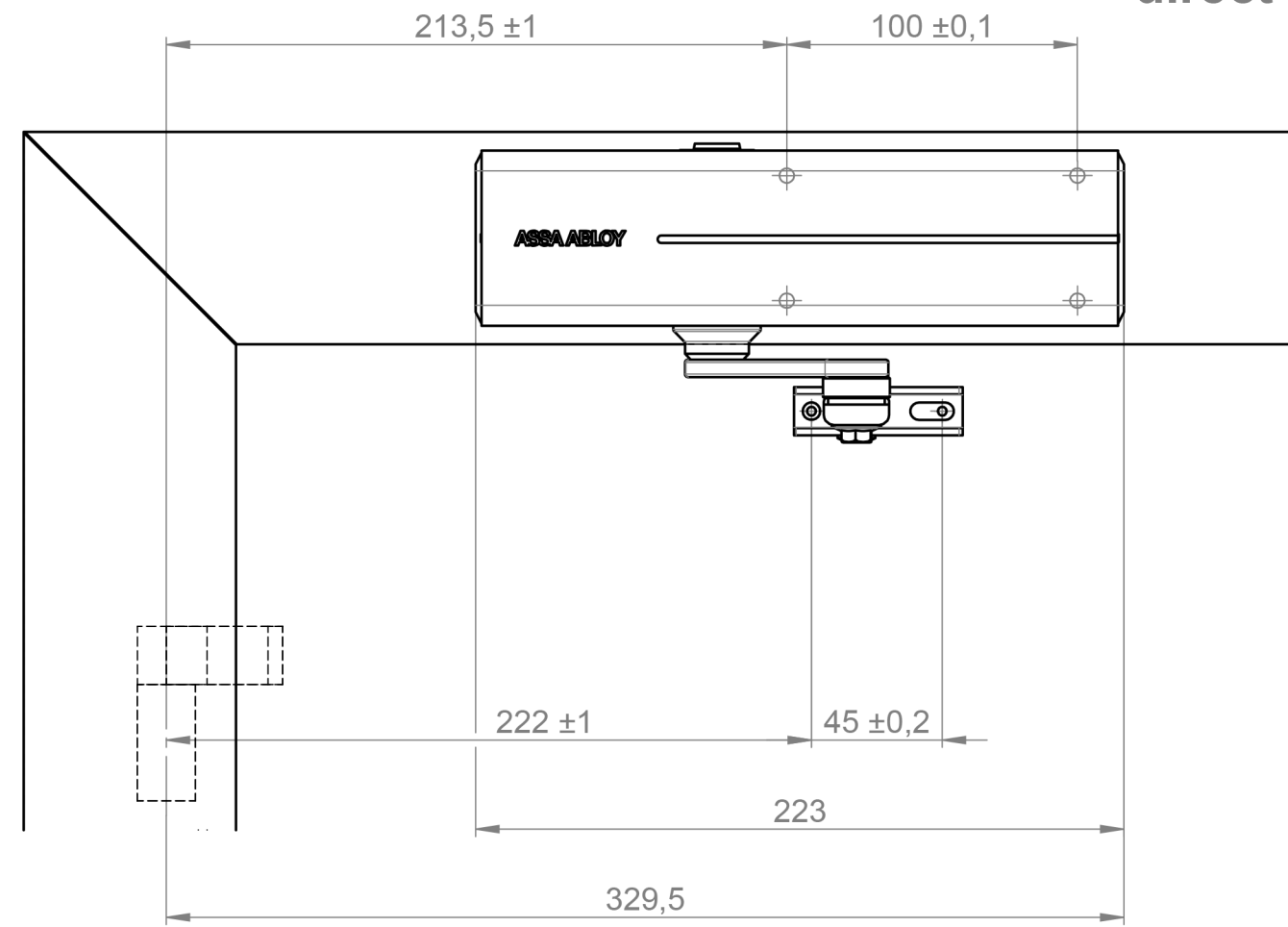


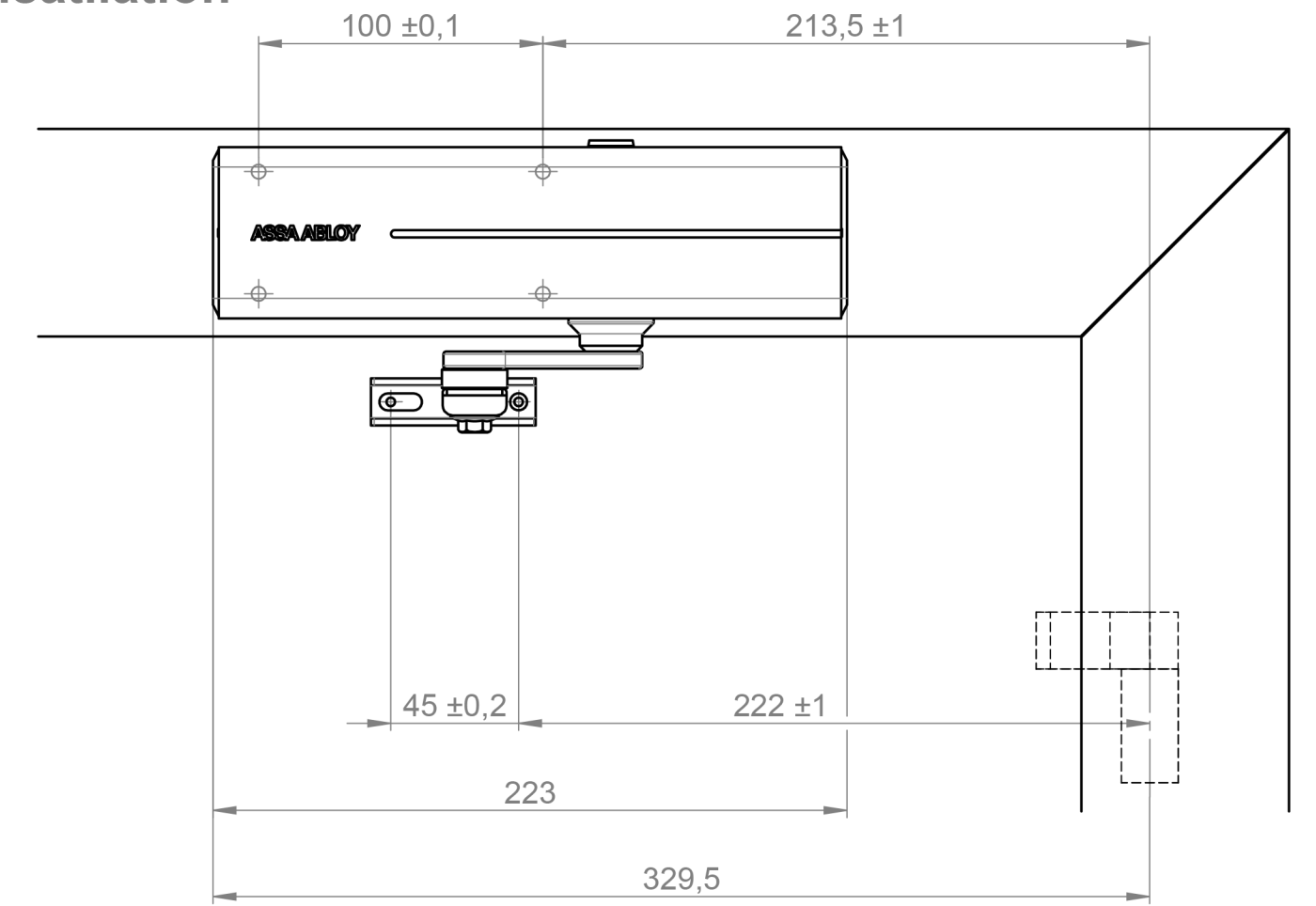
This work is copyright and no part may be reproduced, by any process, nor may any other exclusive right be exercised without the permission of ASSA ABLOY.



**Direktbefestigung
direct insatllation**

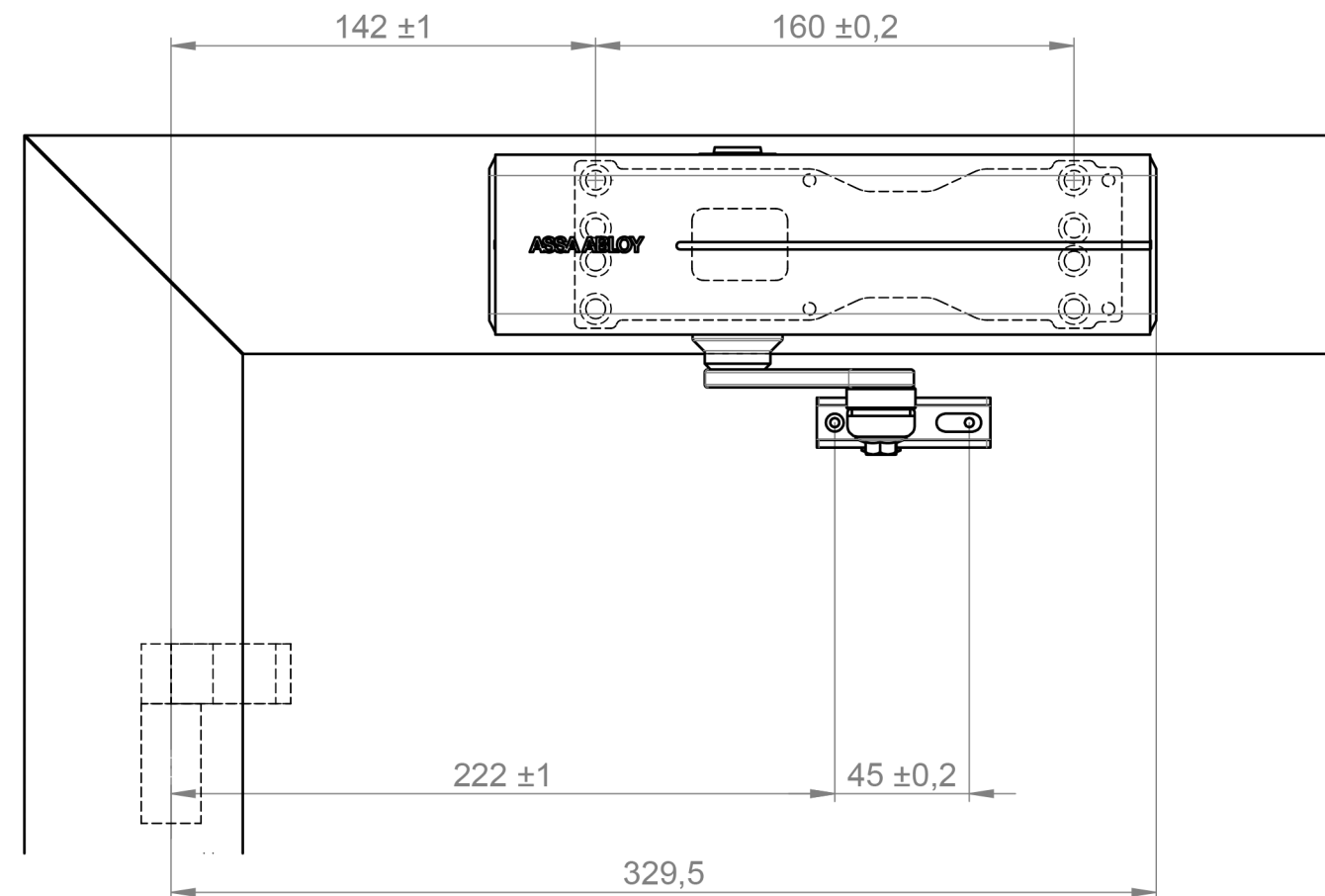


DIN rechts
right hand door

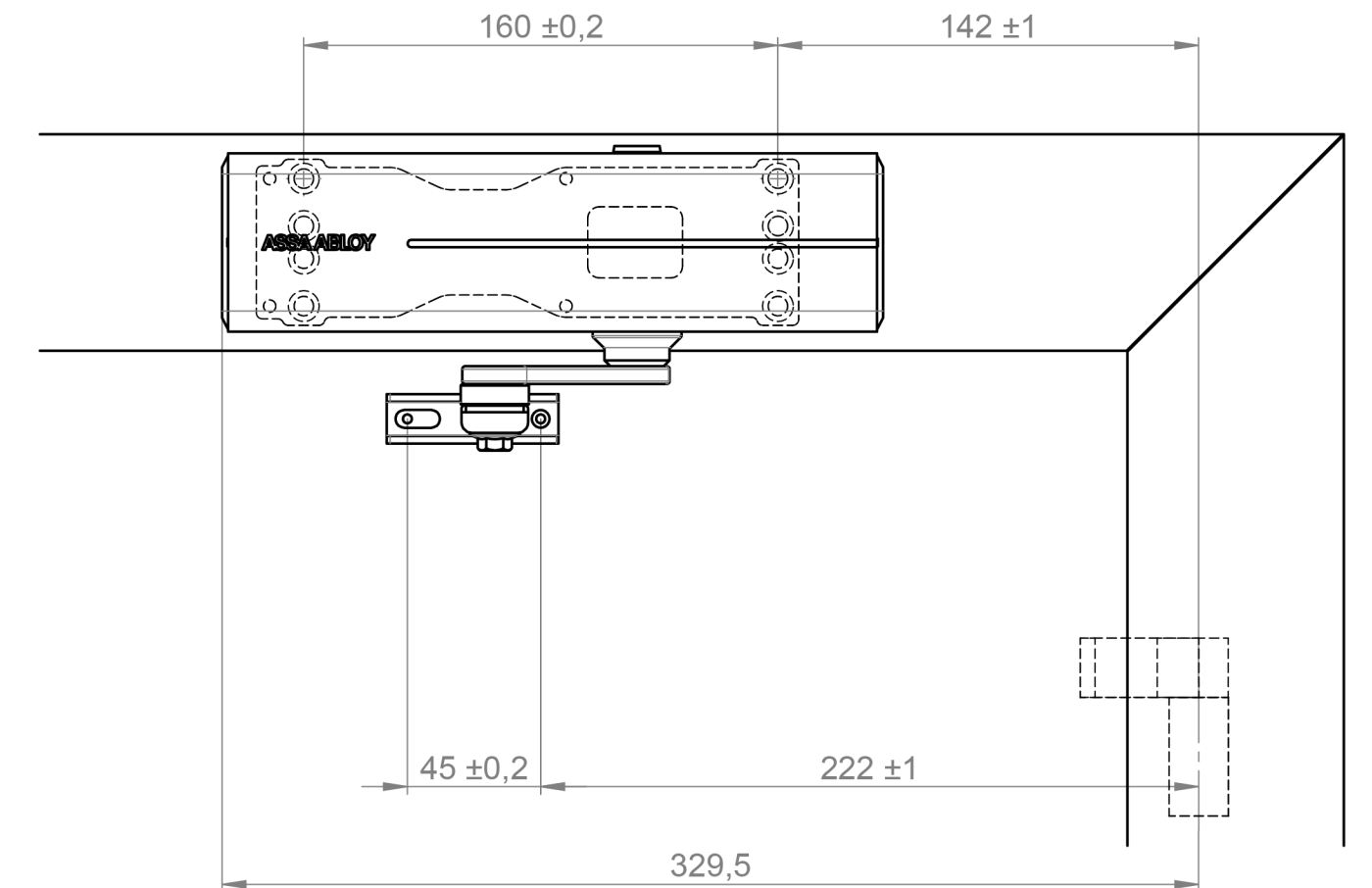


DIN links
left hand door

**Befestigung mit Montageplatte
installation with mounting plate**



DIN rechts
right hand door



DIN links
left hand door

Quelle: Assa Abloy

State	Description	Date	Name				
	Inspection Dimension			Name local language		DC200 Kopfmontage	
Surface:				Material:		General tolerance:	
Volume:	Weight:	Surface area:	Created (YYYY-MM-DD):	Designed by:	Drawn by:	Scale:	Projection:
0019669.92 mm ³	479.96 gram	1153384.88 mm ²	2018-08-30	andsau	andsau	1:2.5 (A2)	1
ASSA ABLOY ASSA ABLOY Sicherheitstechnik GmbH				Door closer accessory		Alternate ID	
				frame installation opposite hinge side		DC200-1010	
				Document ID		Rev.:	
				D001005582-001		1	